

Best™ Cyclotron Systems

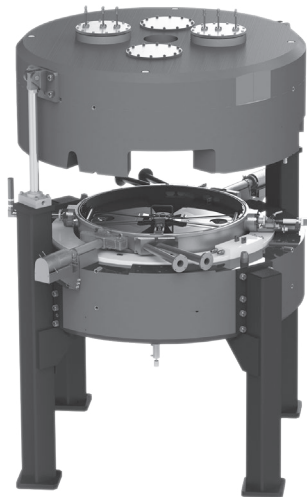


NEW! Best Model 200 Sub-Compact Self-Shielded Cyclotron with Optional Second Chemistry Module and Novel Target

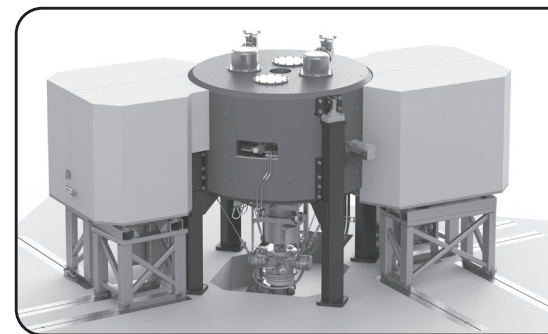
- Low energy compact system, can be placed next to PET/CT
- Easy to operate push-button graphic interface
- Automated quality control testing
- Ideal for Nuclear Cardiology/Oncology and other applications
- Capable of producing: ^{18}F FDG, Na^{18}F , ^{18}F -MISO, ^{18}F FLT, ^{18}F -Choline, ^{18}F -DOPA, ^{18}F -PSMA, ^{11}C , ^{13}N and ^{68}Ga



NEW! Best 6–15 MeV Compact High Current/Variable Energy Proton Cyclotron



- Capable of producing the following isotopes: ^{18}F , ^{68}Ga , ^{89}Zr , $^{99\text{m}}\text{Tc}$, ^{11}C , ^{13}N , ^{15}O , ^{64}Cu , ^{67}Ga , ^{111}In , ^{124}I , ^{225}Ac and ^{103}Pd
- 1–1000 μA extracted beam current
- Simultaneous ^{18}F and ^{68}Ga at high yield
- Up to 5×10^{13} neutrons per second from external target
- 21 stripping foils at each stripping port for 2 minute rapid change



TeamBest Global Companies ©2023 *Some of the products shown are under development and not available for sale currently.

Best Cyclotron Systems USA 3024 Topside Business Park Dr., Louisville, TN 37777
Best Cyclotron Systems CAN 8765 Ash Street, Unit 7, Vancouver, BC V6P 6T3
USA: 865 982 0098 CAN: 604 681 3327 www.bestcyclotron.com www.teambest.com

AFRICA | ASIA | EUROPE | LATIN AMERICA | MIDDLE EAST | NORTH AMERICA