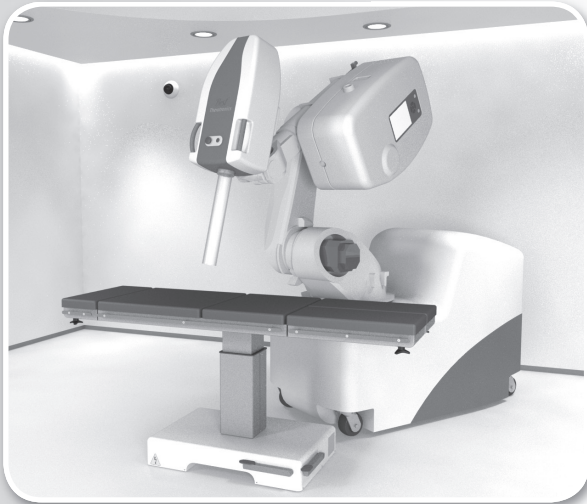


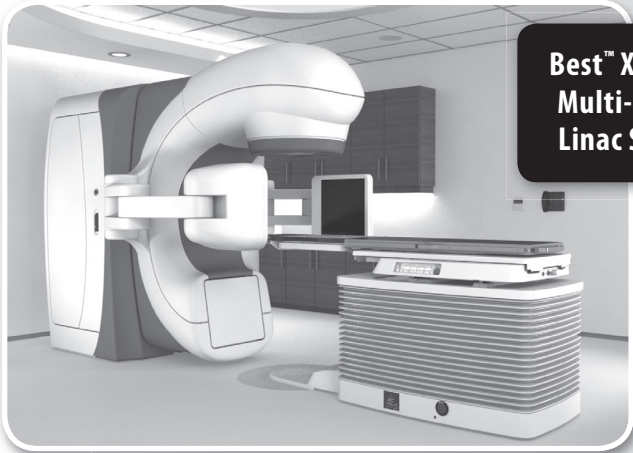


Introducing...Exciting new products under development from TeamBest® Companies!

Best™ E-Beam™ Robotic IORT Linac System



Best™ X-Beam™ Robotic Radiosurgery System

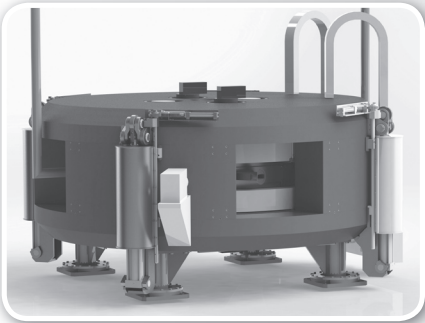
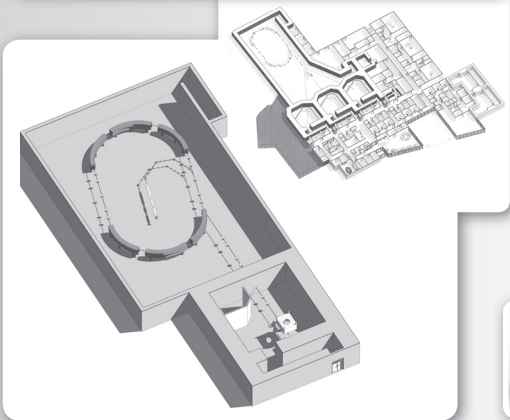


Best™ X-Beam™ Multi-Energy Linac System

Best™ 400 MeV ion Rapid Cycling Medical Synchrotron (iRCMS) for Proton-to-Carbon Heavy Ion Therapy

**Best™ Cyclotron Systems
15/20/25/30/35/70 MeV Proton & 35/70 MeV Multi-Particle (Alpha, Deuterons & Protons)**

Best™ HDR Afterloader



* Certain products shown are not available for sale currently.

TeamBest Companies © 2018

Best Medical International, Inc. 7643 Fullerton Road, Springfield, VA 22153 USA
tel: 703 451 2378 800 336 4970 www.besttotalsolutions.com www.teambest.com

AFRICA | ASIA | EUROPE | LATIN AMERICA | MIDDLE EAST | NORTH AMERICA