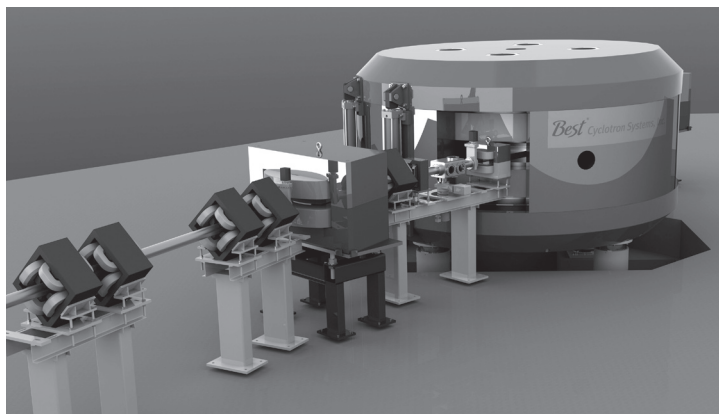


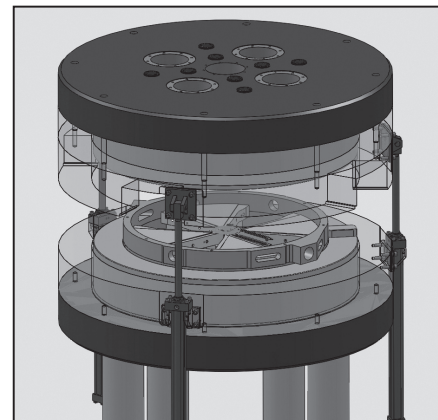
Great News!



We are pleased to announce that Best Theratronics and Best Cyclotron Systems, members of TeamBest, won a bid from the Italian National Laboratory of Legnaro on May 4, 2010 for construction of a 70 MeV cyclotron.

About Best Cyclotron Systems, Inc. (BCSI)

BCSI is a new member of the Team Best family, designing commercial cyclotrons for radioisotope production facilities to be supplied around the world. There are three general energy domains for BCSI cyclotron systems: 14, 35 and 70 MeV. BCSI staff works with the end user to configure the system based on the needs of the user. The applications for these accelerator systems are different, and the configurations will reflect that difference. BCSI also supplies complete radioisotope production systems, including beam lines and target stations, as well as turnkey facilities for PET radioisotope production.



About Best Theratronics

Best Theratronics Ltd. has been manufacturing, marketing, selling and servicing cobalt-based cancer therapy systems for more than 50 years. It began as a division of Atomic Energy of Canada Limited and was sold to MDS Nordion before being sold to Best Medical International in early 2008. The company is located in Kanata, west of Ottawa, Canada. Its 140 employees possess expertise in manufacturing, engineering, design, radiation physics, dosimetry, worldwide logistics, sales, marketing and service – skills required for cyclotron manufacturing.