

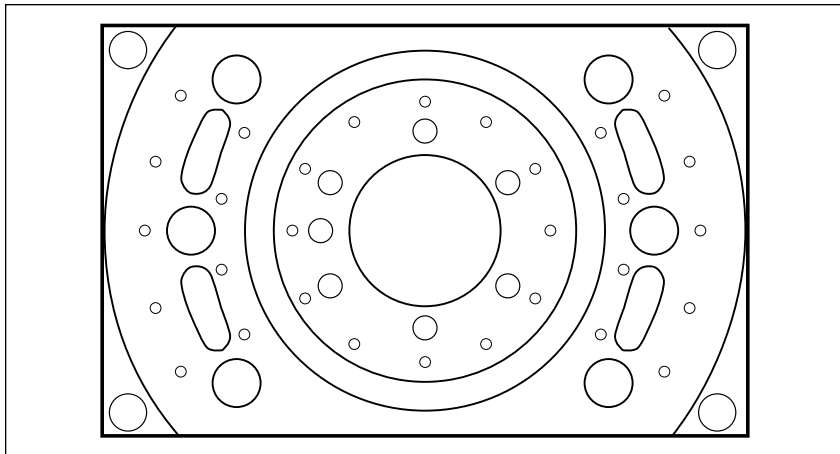
Syed/Neblett Gyn Template #1

Part # 214-1/Sterile Part # 1246-1

With:

- 1 Template
- 1 15 cm Central Rod
- 2 Wrenches
- 1 Stainless Steel Ruler
- 1 Magnification Ring

Extra 'O' Rings, Screws and Cap



Hole Pattern

Syed/Neblett Gyn Template Kit #1

Part # 214-2/Sterile Part # 1246-2

Kit contains:

- 1 Template
- 1 15 cm Central Rod
- 36 Needles with Funnel
- 5 Needles without Funnel
- 1 Magnification Ring
- 2 Wrenches
- 10 Stylets
- 1 Stainless Steel Ruler

Extra 'O' Rings, Screws and Caps

Optional: Storage Tray

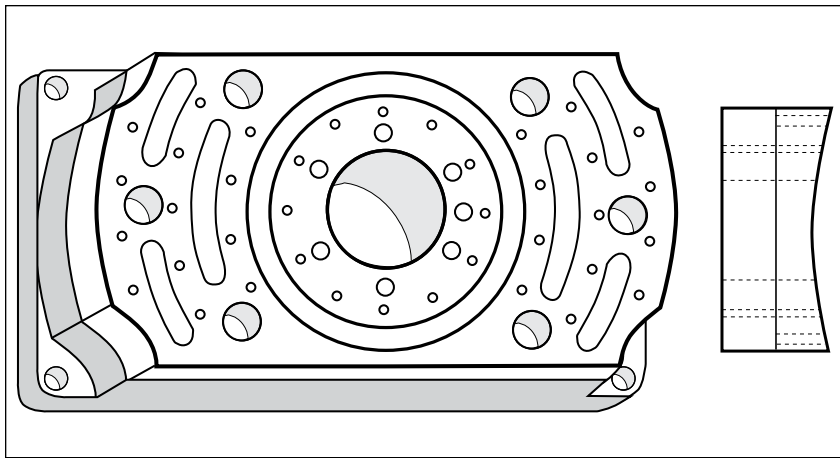


NOTE: Specify hole size when ordering.

CAUTION: This product should be carefully inspected by your staff prior to clinical use and should be used by authorized personnel only.

Best Medical International, Inc. 7643 Fullerton Road, Springfield, VA 22153 USA
phone 703 451 2378 800 336 4970 fax 703 451 5228 www.bestmedical.com





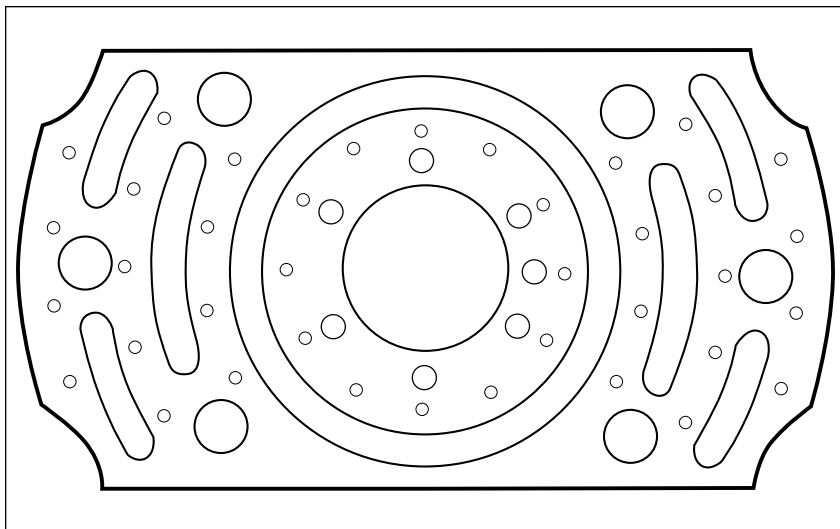
Syed/Neblett Gyn Template #2

Part # 215-1/Sterile Part # 1248-1

With:

- 1 Template
- 1 15 cm Central Rod
- 2 Wrenches
- 1 Stainless Steel Ruler
- 1 Magnification Ring

Extra 'O' Rings, Screws and Cap



Hole Pattern (Actual Size)

Syed/Neblett Gyn Template Kit #2

Part # 215-2/Sterile Part # 1248-2

Kit contains:

- 1 Template
- 1 15 cm Central Rod
- 45 Needles with Funnel
- 5 Needles without Funnel
- 1 Magnification Ring
- 2 Wrenches
- 10 Stylets
- 1 Stainless Steel Ruler

Extra 'O' Rings, Screws and Caps

Optional: Storage Tray

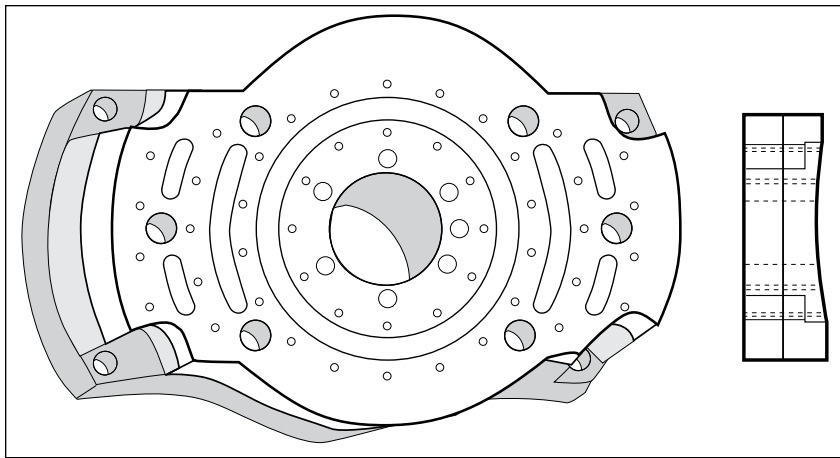


NOTE: Specify hole size when ordering.

CAUTION: This product should be carefully inspected by your staff prior to clinical use and should be used by authorized personnel only.

Best Medical International, Inc. 7643 Fullerton Road, Springfield, VA 22153 USA
phone 703 451 2378 800 336 4970 fax 703 451 5228 www.bestmedical.com


healthcare for everyone



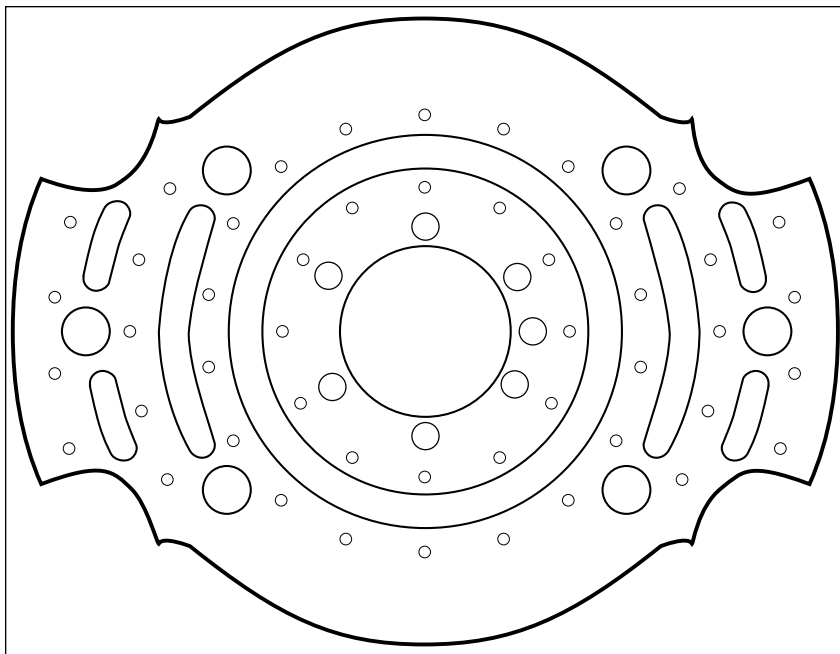
Syed/Neblett Gyn Template #3

Part # 216-1/Sterile Part # 1250-1

With:

- 1 Template
- 1 15 cm Central Rod
- 2 Wrenches
- 1 Stainless Steel Ruler
- 1 Magnification Ring

Extra 'O' Rings, Screws and Cap



Hole Pattern (Actual Size)

Syed/Neblett Gyn Template Kit #3

Part # 216-2/Sterile Part # 1250-2

Kit contains:

- 1 Template
- 1 15 cm Central Rod
- 55 Needles with Funnel
- 5 Needles without Funnel
- 1 Magnification Ring
- 2 Wrenches
- 10 Stylets
- 1 Stainless Steel Ruler

Extra 'O' Rings, Screws and Caps



NOTE: Specify hole size when ordering.

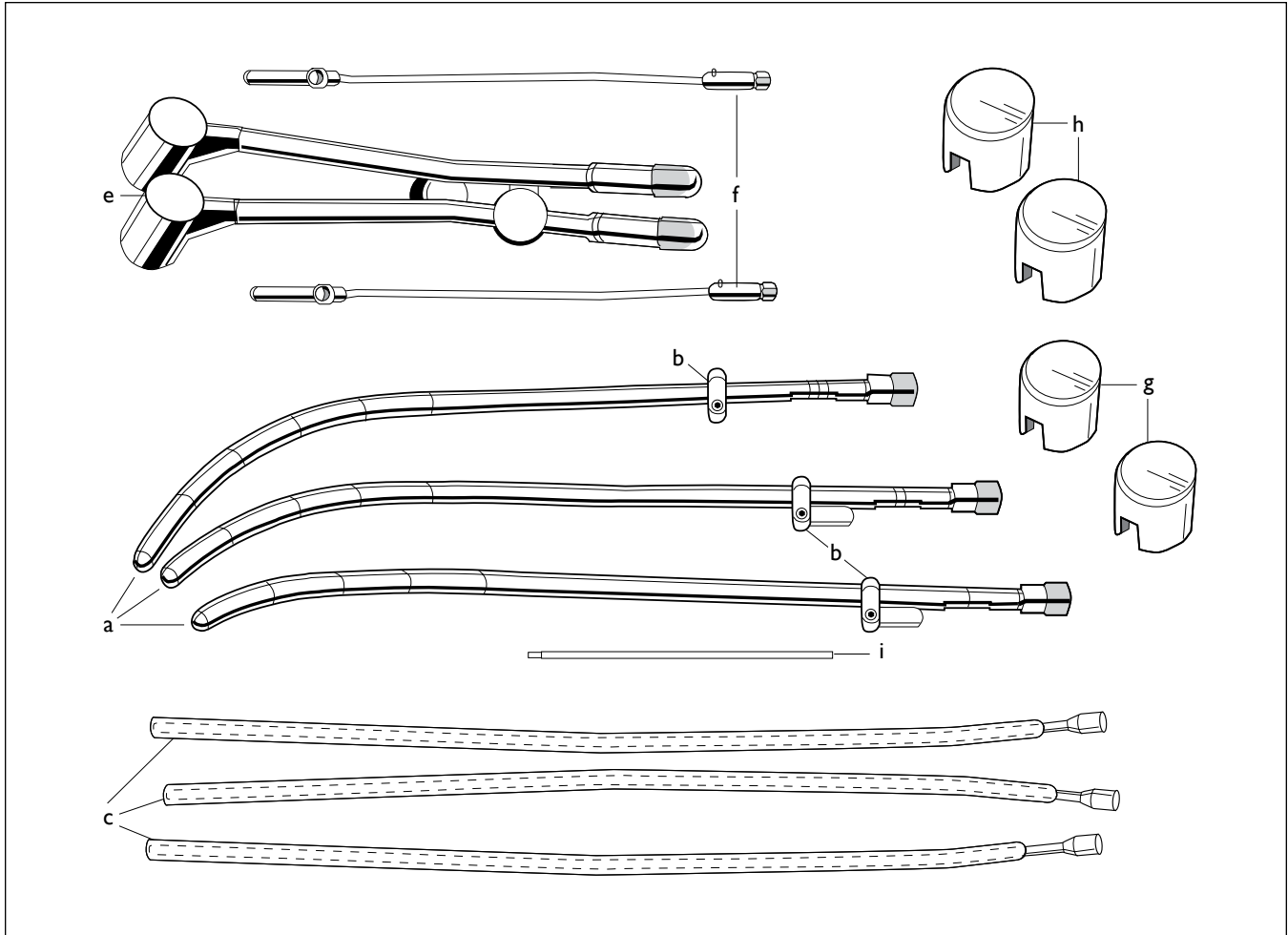
CAUTION: This product should be carefully inspected by your staff prior to clinical use and should be used by authorized personnel only.

Best Medical International, Inc. 7643 Fullerton Road, Springfield, VA 22153 USA
phone 703 451 2378 800 336 4970 fax 703 451 5228 www.bestmedical.com



Round-Handle Fletcher-Suit-Delclos Applicator Set (640R)

Part # 5005-0082



Set contains:

- | | |
|---------------------------------------------------|-------------------------------------------------|
| a) 3 Central Tandems | e) 1 Pair Colpostat w |
| b) 3 Cervical Stops (1 with flag, 2 without flag) | f) 2 Bucket Type Source Carriers |
| c) 3 Plastic Tandems and Pushers | g) 1 Pair Nylon Caps 2.5 cm Diameter for Ovoids |
| d) 1 Storage/Sterilization Tray (not shown) | h) 1 Pair Nylon Caps 3.0 cm Diameter for Ovoids |
| | i) 1 Allen Wrench |

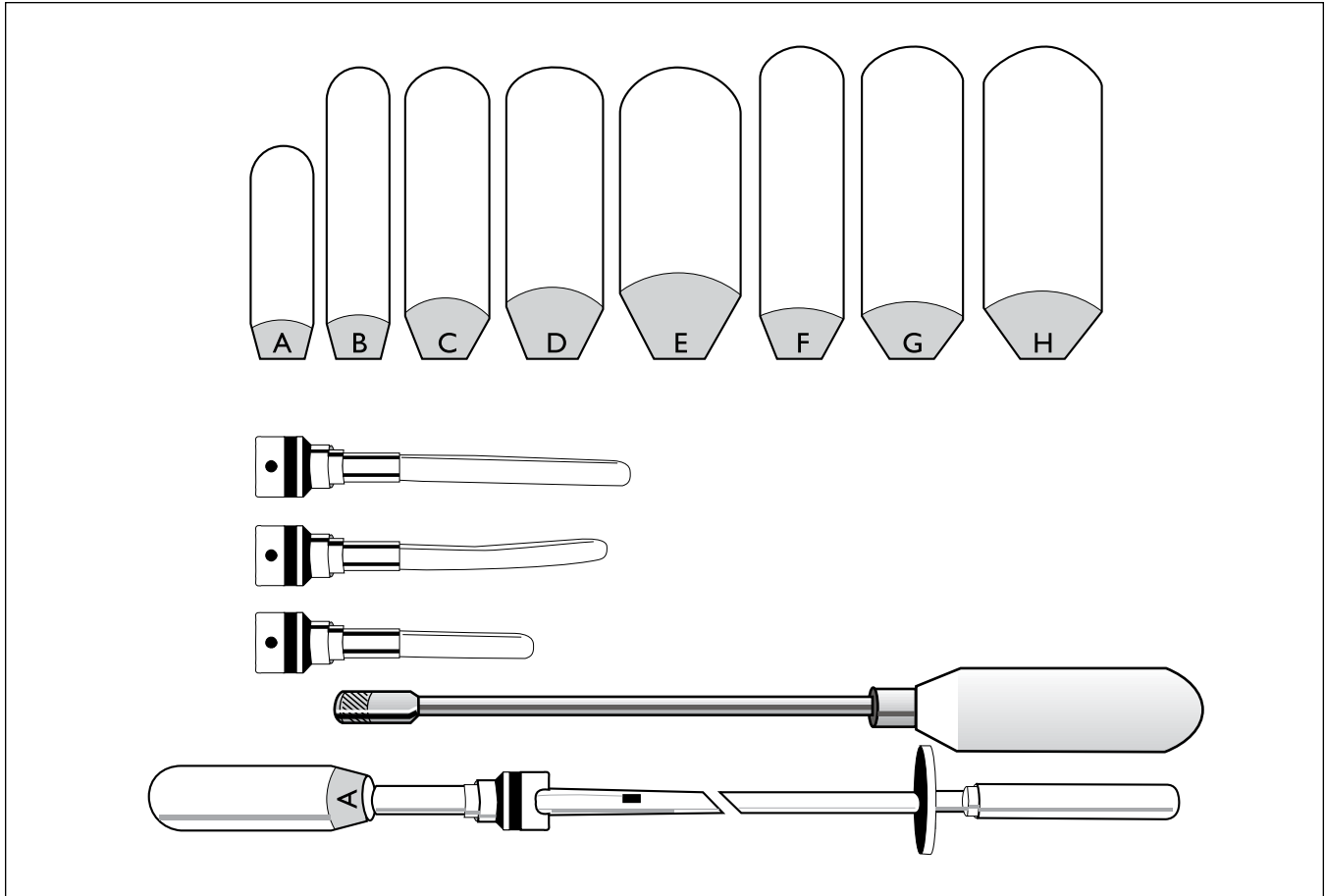
CAUTION: This product should be carefully inspected by your staff prior to clinical use and should be used by authorized personnel only.

Best Medical International, Inc. 7643 Fullerton Road, Springfield, VA 22153 USA
phone 703 451 2378 800 336 4970 fax 703 451 5228 www.bestmedical.com


Best[®]
healthcare for everyone

Burnett Afterload Vaginal Applicator (700A)

Part # 5005-0088



Set contains: Set of eight nylon cylinders, four plastic tandems with metal screws and special long handle (cap holder) and Tube Source Adapter Assembly arranged in a stainless steel tray.

External Dimensions of Cylinders:

A — 20 x 66 mm	E — 35 x 87 mm
B — 20 x 87 mm	F — 25 x 95 mm
C — 25 x 87 mm	G — 30 x 95 mm
D — 30 x 87 mm	H — 35 x 95 mm



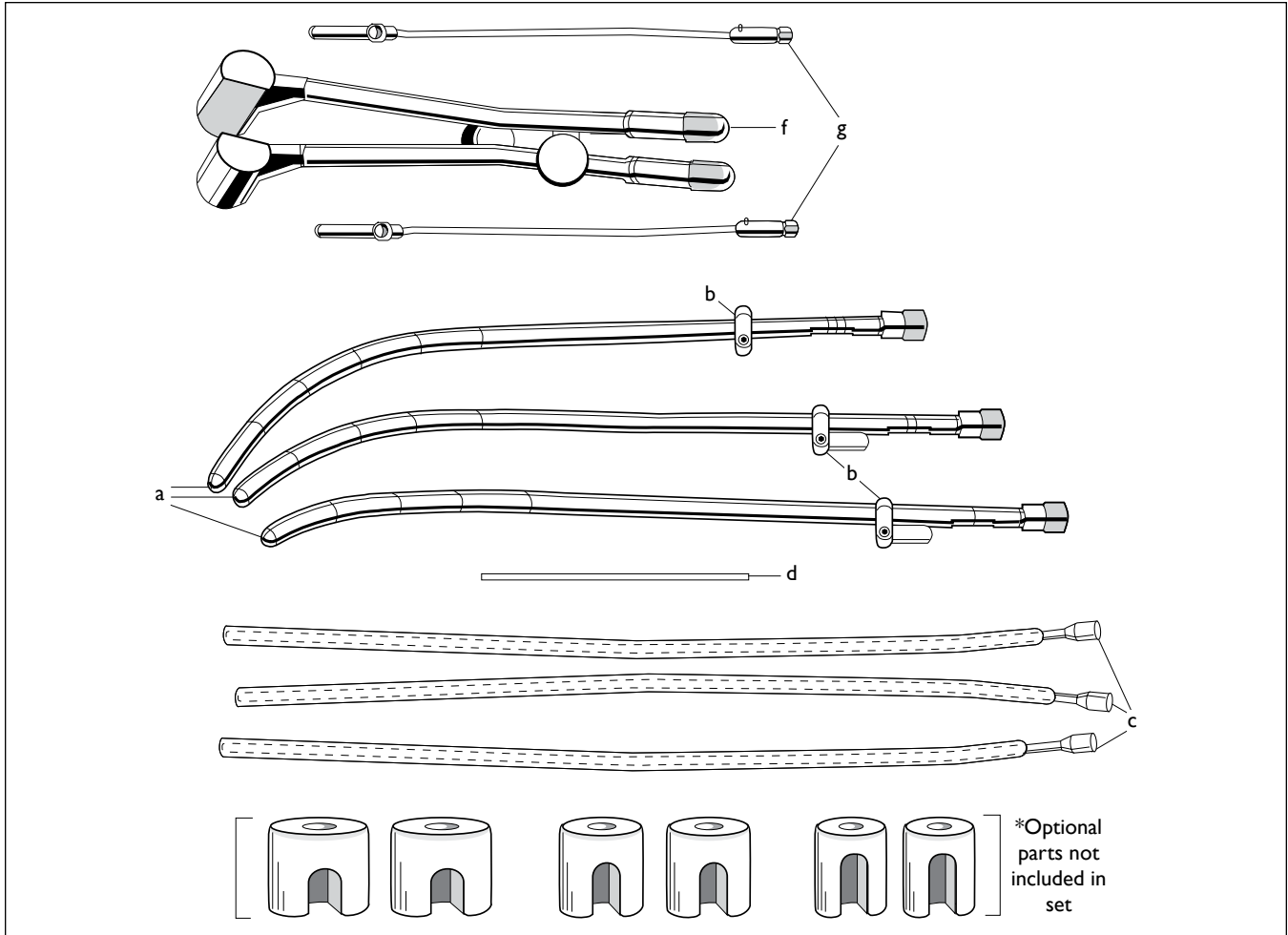
CAUTION: This product should be carefully inspected by your staff prior to clinical use and should be used by authorized personnel only.

Best Medical International, Inc. 7643 Fullerton Road, Springfield, VA 22153 USA
phone 703 451 2378 800 336 4970 fax 703 451 5228 www.bestmedical.com


Best[®]
healthcare for everyone

Fletcher-Suit-Delclos Mini-Ovoid Applicator Set (640M)

Part # 5005-0084



Set contains:

- | | |
|---------------------------------------------------|---------------------------------------------|
| a) 3 Central Tandems | e) 1 Storage/Sterilization Tray (not shown) |
| b) 3 Cervical Stops (1 with flag, 2 without flag) | f) 1 Pair Colpostat |
| c) 3 Plastic Tandems and Pushers | g) 2 Bucket Type Source Carriers |
| d) 1 Allen Wrench | |

***Optional: Shielded Caps 2 cm Dia., 2.5 cm Dia., 3 cm Dia.**



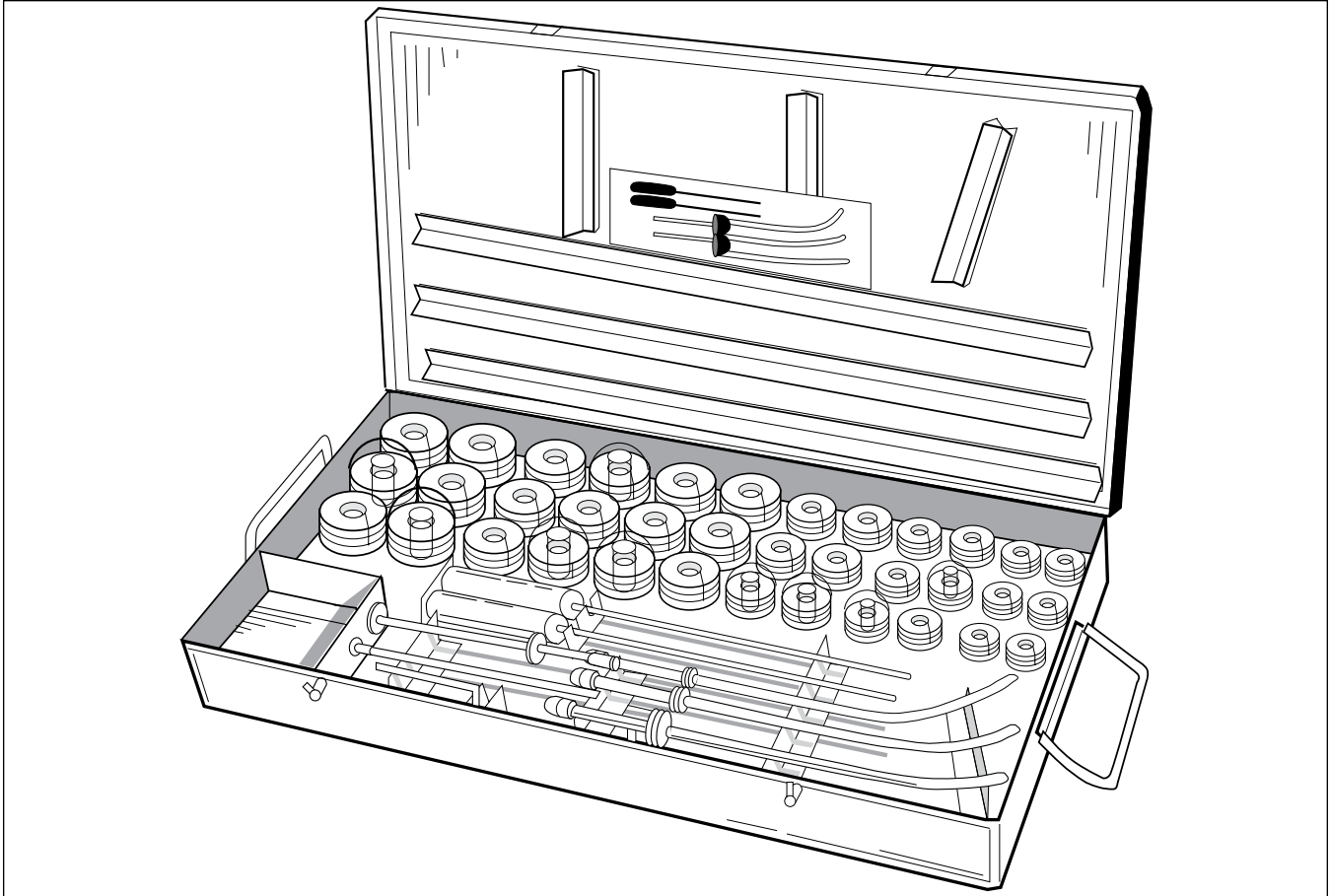
CAUTION: This product should be carefully inspected by your staff prior to clinical use and should be used by authorized personnel only.

Best Medical International, Inc. 7643 Fullerton Road, Springfield, VA 22153 USA
 phone 703 451 2378 800 336 4970 fax 703 451 5228 www.bestmedical.com



Delclos Uterine/Vaginal Afterloading Applicator and Dome Assembly (670)

Part # 5005-0089



Set contains:

- | | | | |
|---|------------------------------------------------------------------------------|---|---------------------------------------|
| 6 | Sets of Cylinders with Diameters 20 mm, 25 mm, 30 mm, 35 mm, 40 mm and 45 mm | 1 | Storage/Sterilization Tray |
| 6 | Domes (Matching Cylinder Diameters) | 1 | Standard Allen Wrench |
| 3 | Uterine Tandems | 1 | Extended Allen Wrench |
| 1 | Vaginal Tandem (Dome Assembly) | 1 | Cylinder Extractor |
| 1 | Vaginal Tandem (With a Flat End) | 3 | Standard and 2 Flanged Cervical Stops |
| | | 4 | Plastic Tandem and Pushers |



CAUTION: This product should be carefully inspected by your staff prior to clinical use and should be used by authorized personnel only.

Best Medical International, Inc. 7643 Fullerton Road, Springfield, VA 22153 USA
phone 703 451 2378 800 336 4970 fax 703 451 5228 www.bestmedical.com


Best[®]
healthcare for everyone

View

Best Medical International's

Complete Catalog

Through

This Link